

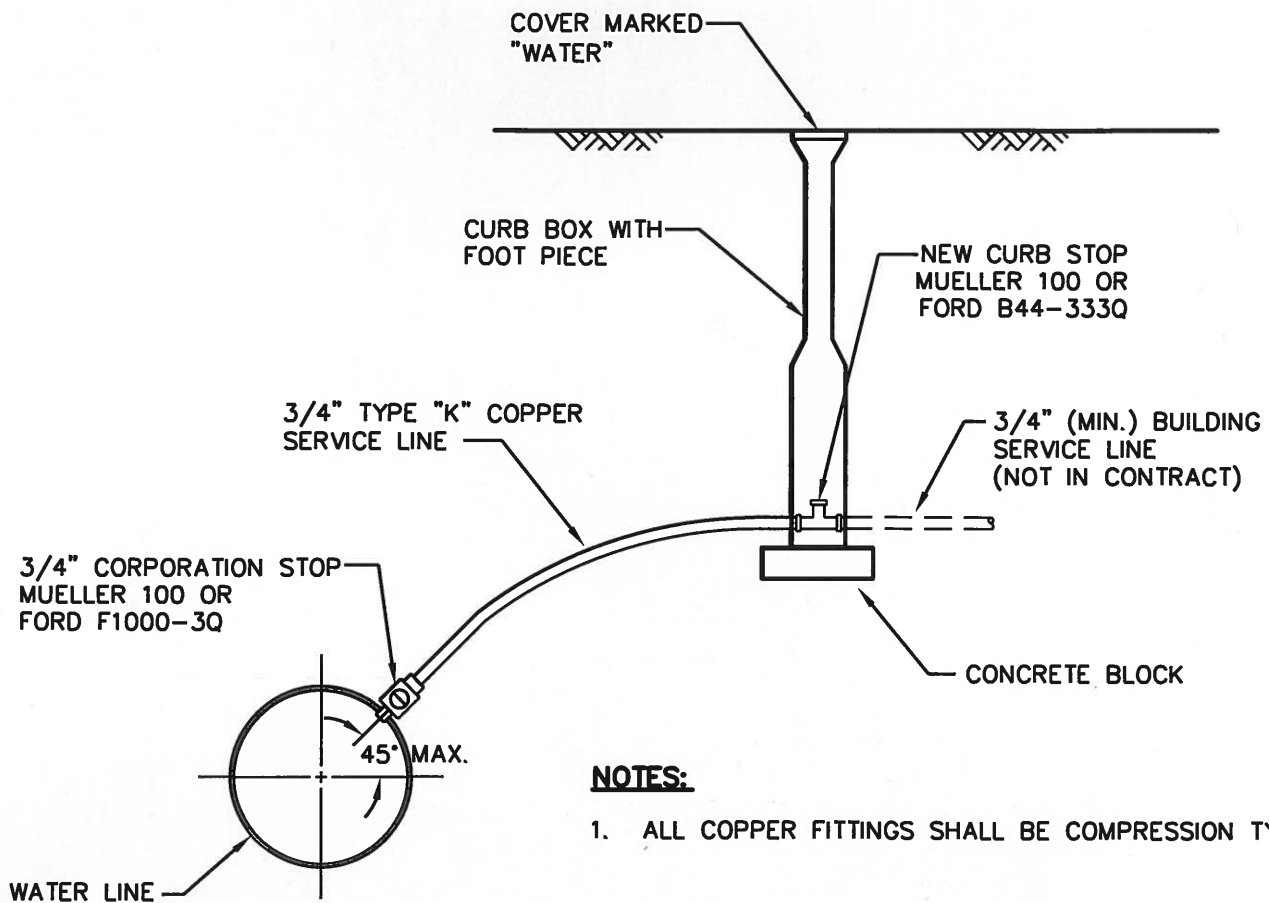
DETAIL - DOMESTIC SERVICE

DETAIL - SPRINKLER

ELIZABETHTOWN AREA WATER AUTHORITY
TOWNHOUSE SPRINKLER CONNECTION

CET Engineering Services
Harrisburg, Pennsylvania
Copyright © 2011 by Commonwealth Engineering & Technology, Inc.
T/A CET Engineering Services. All rights reserved.

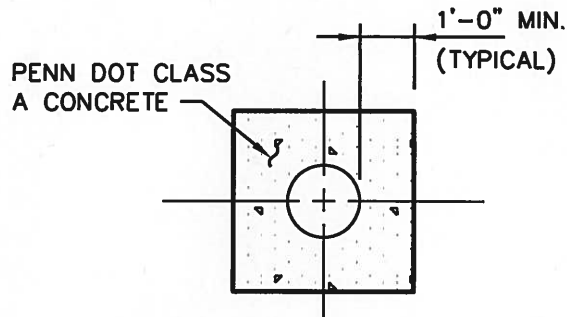
DEC 22, 2011



NOTES:

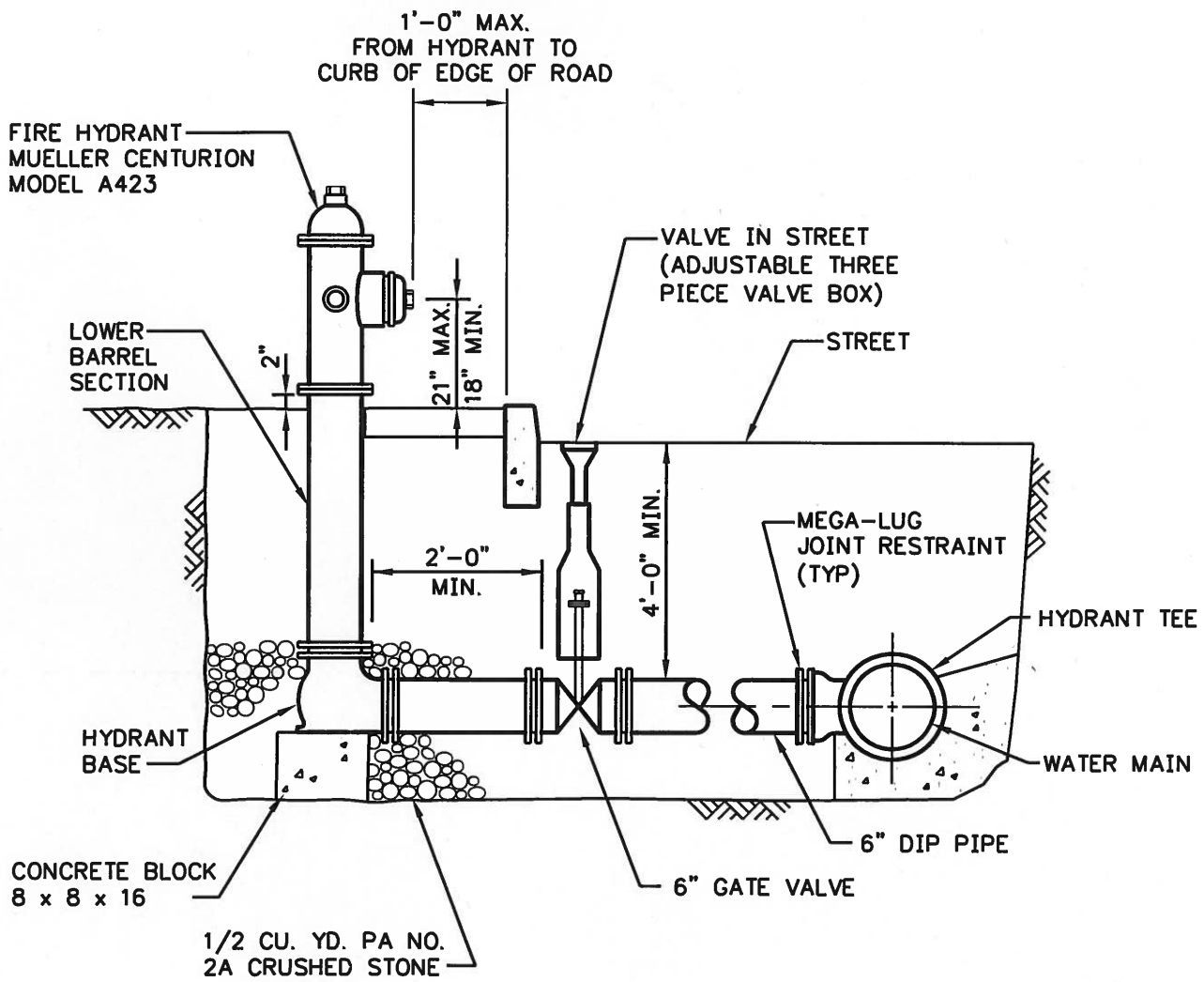
1. ALL COPPER FITTINGS SHALL BE COMPRESSION TYPE.

SERVICE CONNECTION DETAIL



CONCRETE ENCASEMENT DETAIL

TITLE: SERVICE CONNECTION AND CONCRETE ENCASEMENT DETAILS	DATE	REVISIONS
CET Engineering Services Harrisburg, Pennsylvania <small>Copyright © 2013 by Commonwealth Engineering & Technology, Inc. T/A CET Engineering Services. All rights reserved.</small>	SCALE NO SCALE	DRAWING NO. DET-03



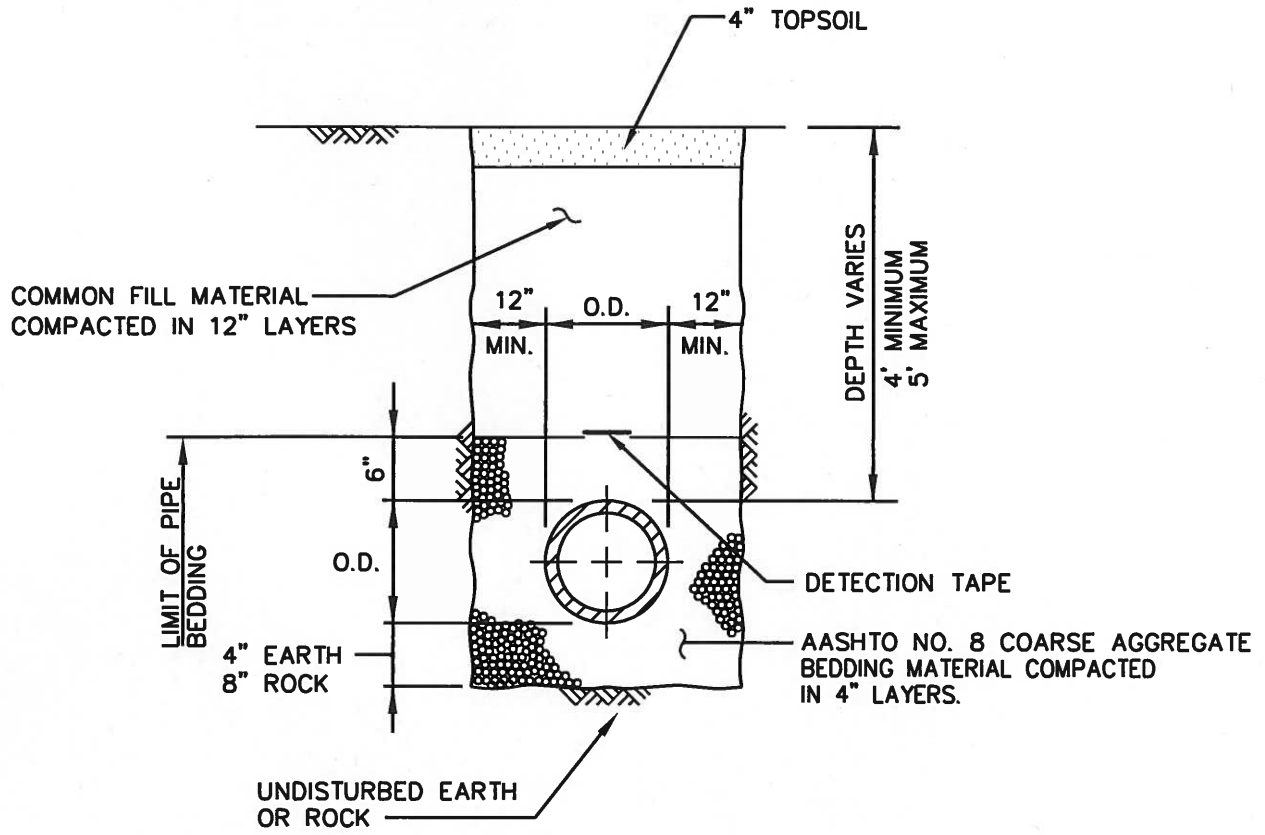
FIRE HYDRANT DETAIL

DATE	REVISIONS

CET Engineering Services
Harrisburg, Pennsylvania

Copyright © 2013 by Commonwealth Engineering & Technology, Inc. T/A CET Engineering Services. All rights reserved.

SCALE NO SCALE	FILE DET - 04
-------------------	------------------



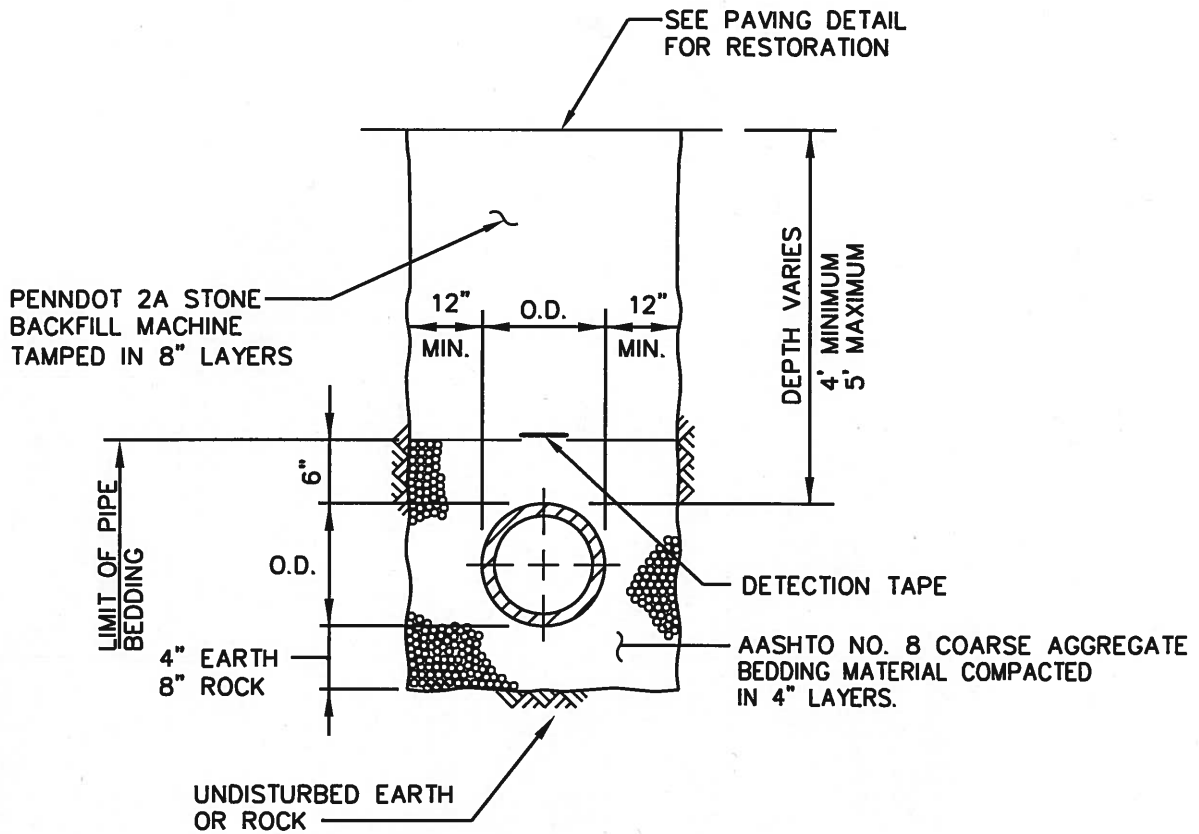
WATERLINE TRENCH DETAILS – UNPAVED AREAS

DATE	REVISIONS

CET Engineering Services
Harrisburg, Pennsylvania

Copyright © 2013 by Commonwealth Engineering & Technology, Inc. T/A CET Engineering Services. All rights reserved.

SCALE NO SCALE	FILE DET - 05
-------------------	------------------



WATERLINE TRENCH DETAILS – PAVED AREAS

DATE

REVISIONS

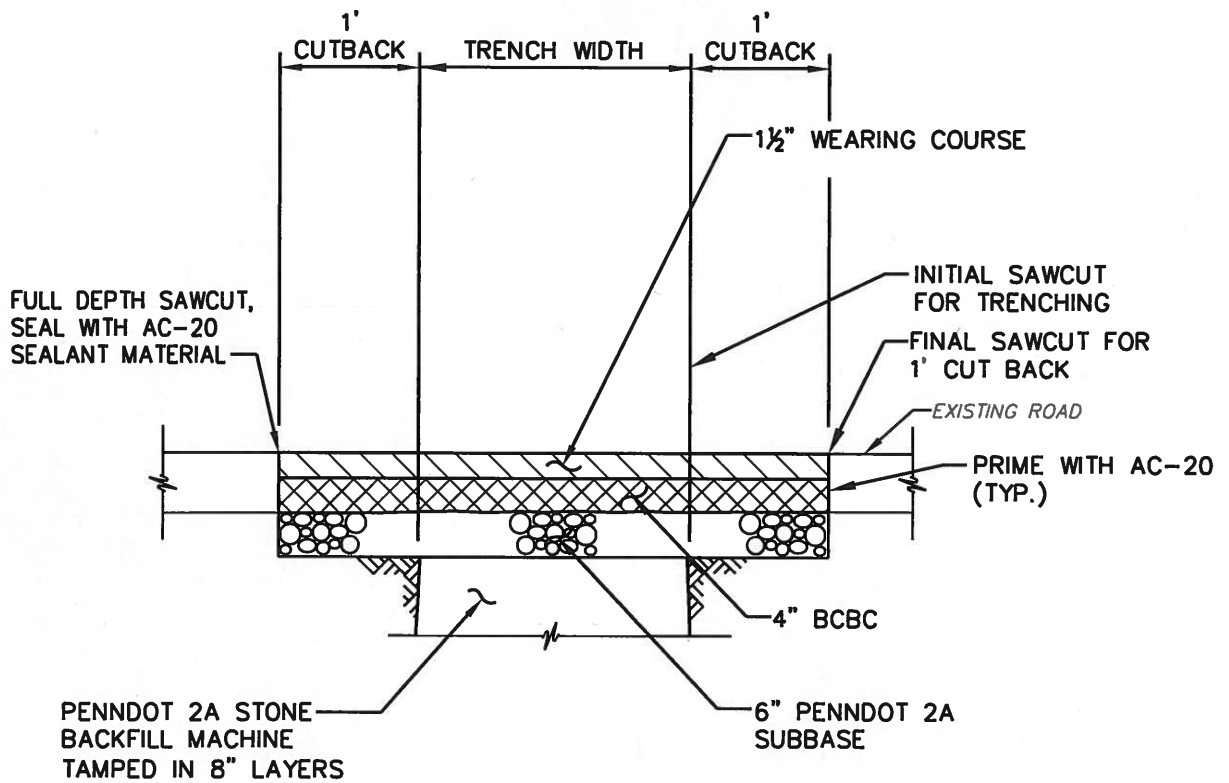
CET Engineering Services

Harrisburg, Pennsylvania

Copyright © 2013 by Commonwealth Engineering & Technology, Inc. T/A CET Engineering Services. All rights reserved.

SCALE
NO SCALE

FILE
DET - 05A



ELIZABETHTOWN BOROUGH PAVING RESTORATION

DATE	REVISIONS
SCALE NO SCALE	FILE DET - 058

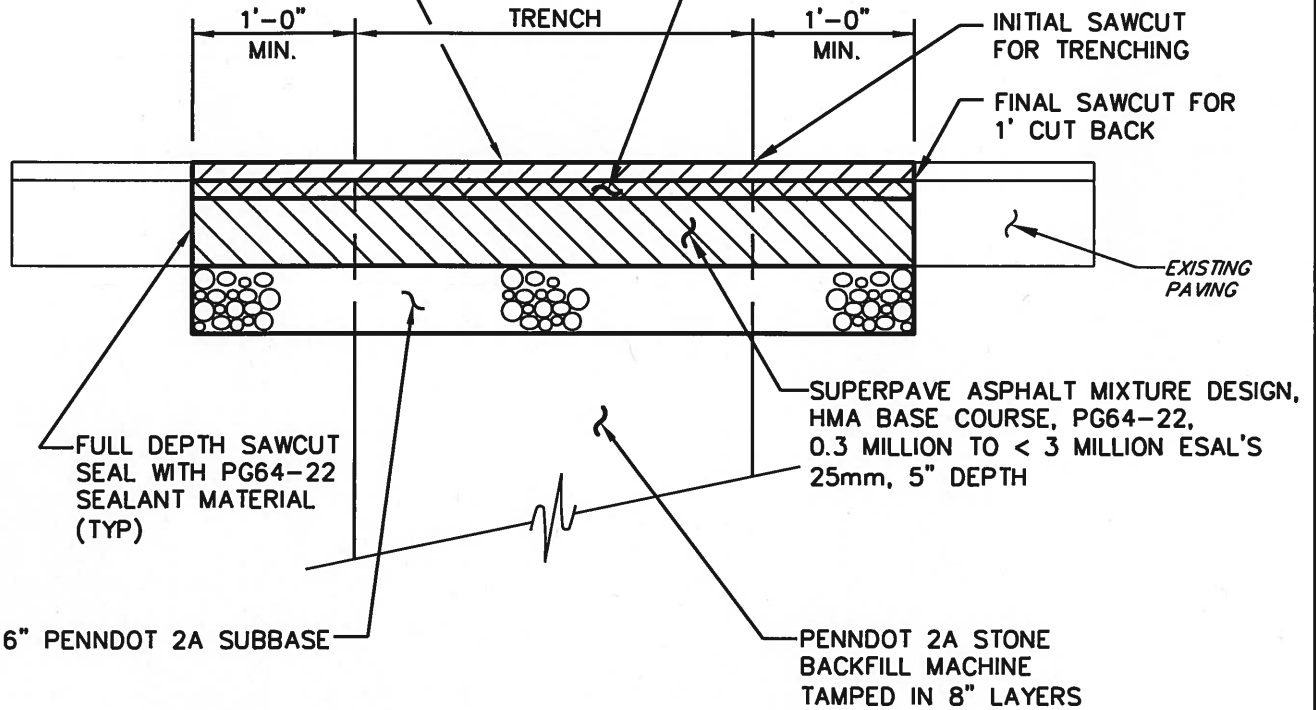
CET Engineering Services

Harrisburg, Pennsylvania

Copyright © 2013 by Commonwealth Engineering & Technology, Inc. T/A CET Engineering Services. All rights reserved.

SUPERPAVE ASPHALT MIXTURE DESIGN,
HMA WEARING, PG64-22,
0.3 MILLION TO < 3 MILLION ESAL'S
12.5mm, 1½" DEPTH, SRL-L

SUPERPAVE ASPHALT MIXTURE DESIGN,
HMA BINDER COURSE, PG 64-22
0.3 MILLION TO < 3 MILLION ESAL'S
25MM MIX., 2½" DEPTH



FOR RURAL ROADS & RESIDENTIAL DEVELOPMENTS

WEST DONEGAL TOWNSHIP PAVING RESTORATION

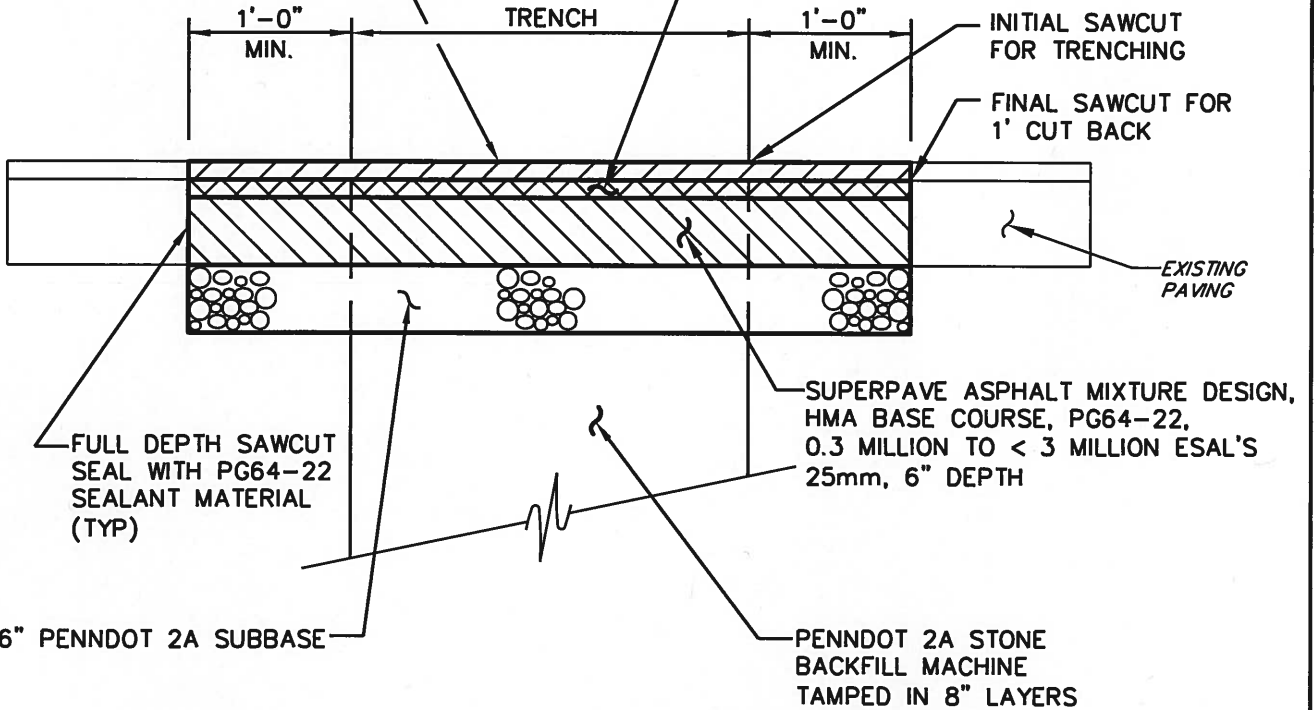
CET Engineering Services
Harrisburg, Pennsylvania

Copyright © 2013 by Commonwealth Engineering & Technology, Inc. T/A CET Engineering Services. All rights reserved.

DATE	REVISIONS
SCALE NO SCALE	FILE DET - 05D

SUPERPAVE ASPHALT MIXTURE DESIGN,
HMA WEARING, PG64-22,
0.3 MILLION TO < 3 MILLION ESAL'S
12.5mm, 1½" DEPTH, SRL-L

SUPERPAVE ASPHALT MIXTURE DESIGN,
HMA BINDER COURSE, PG 64-22
0.3 MILLION TO < 3 MILLION ESAL'S
25MM MIX., 3" DEPTH



FOR INDUSTRIAL AND COMMERCIAL DEVELOPMENTS

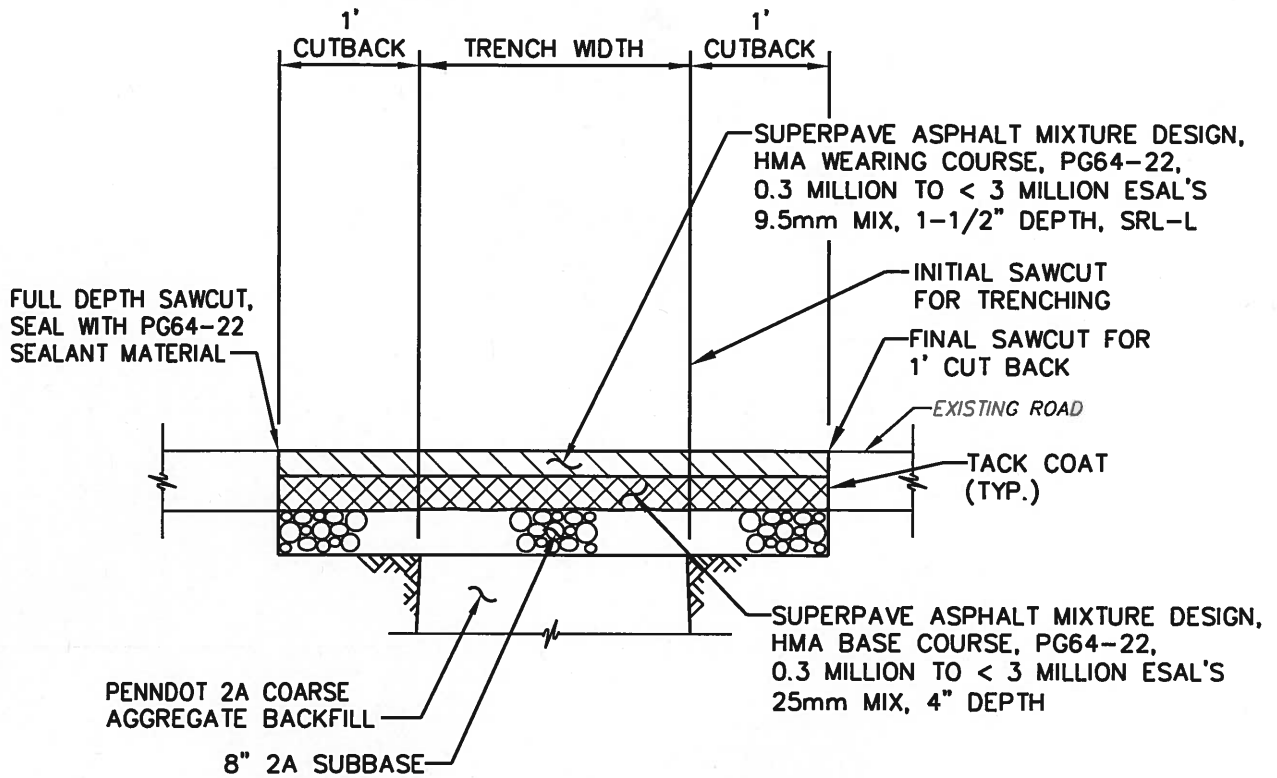
WEST DONEGAL TOWNSHIP PAVING RESTORATION

CET Engineering Services

Harrisburg, Pennsylvania

Copyright © 2013 by Commonwealth Engineering & Technology, Inc. T/A CET Engineering Services. All rights reserved.

DATE	REVISIONS
SCALE NO SCALE	FILE DET - 05E



MOUNT JOY TOWNSHIP PAVING RESTORATION

CET Engineering Services

Harrisburg, Pennsylvania

Copyright © 2013 by Commonwealth Engineering & Technology, Inc. T/A CET Engineering Services. All rights reserved.

DATE	REVISIONS
SCALE NO SCALE	FILE DET - 05C